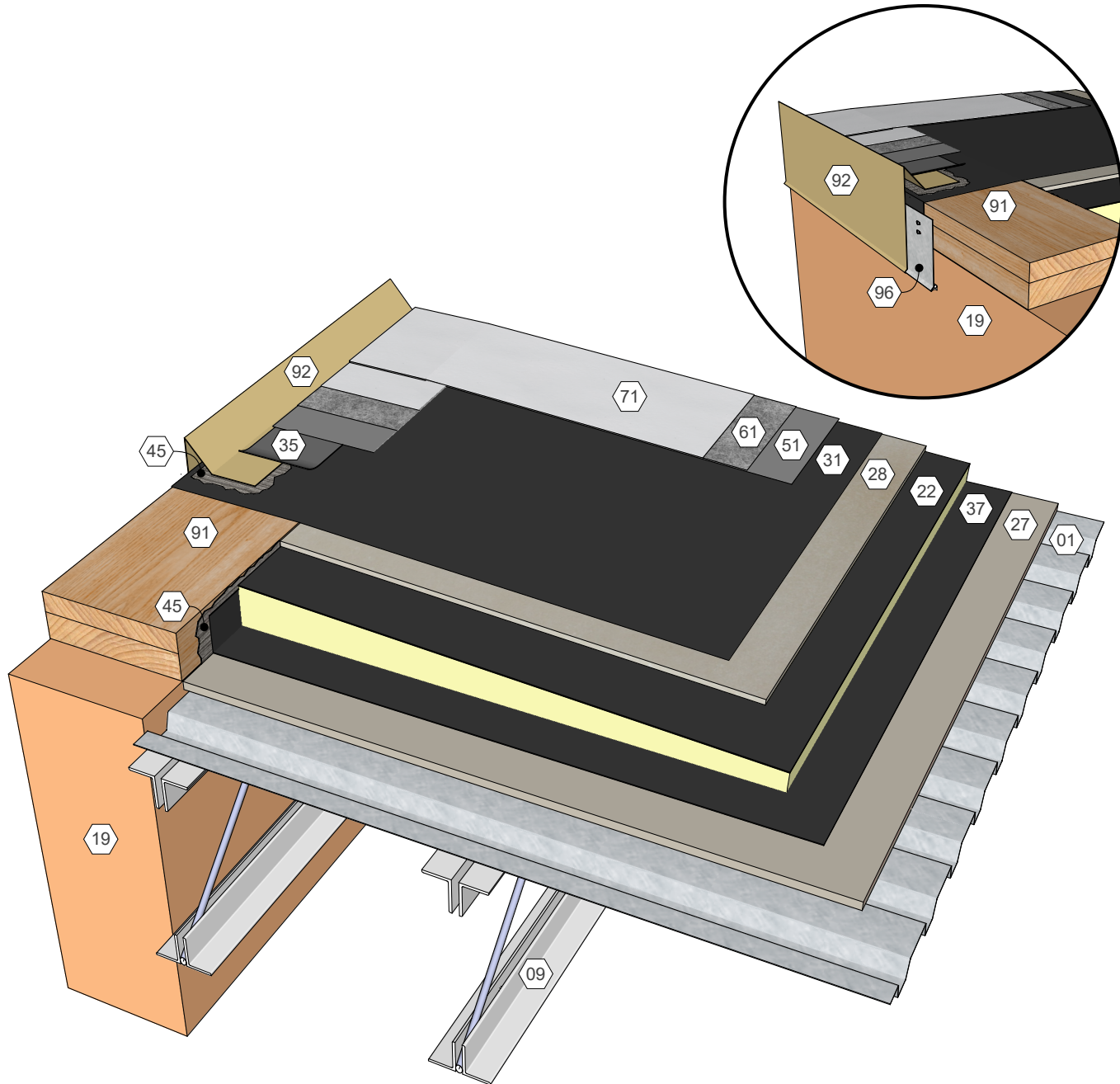


## KEY NOTES

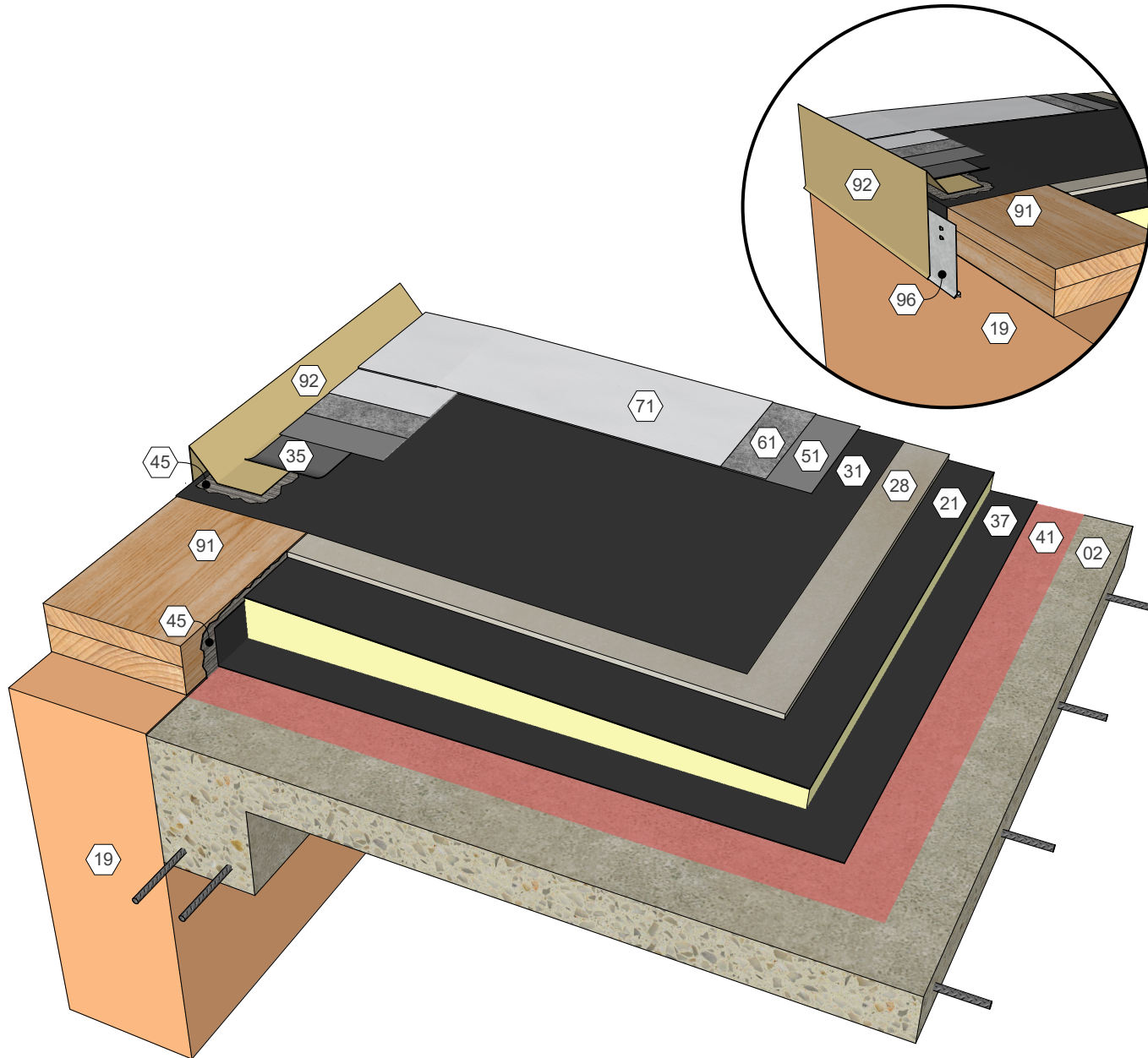
- 01 Metal Deck
- 09 Roof Structure
- 19 Wall Assembly
- 22 Polyisocyanurate Insulation (Fastened or Adhered)
- 27 Substrate Board (Fastened)
- 28 Cover Board (Adhered)
- 31 Approved Base Ply Sheet
- 35 Stripping Ply
- 37 Approved Base Sheet (Adhered)
- 45 Roofing Mastic
- 51 AlphaGuard MT/MTS Base Coat
- 61 AlphaGuard Glass Mat or Permafab
- 71 AlphaGuard MT/MTS Top Coat
- 91 Wood Blocking
- 92 Gravel Stop Edge
- 96 Cont. Cleat



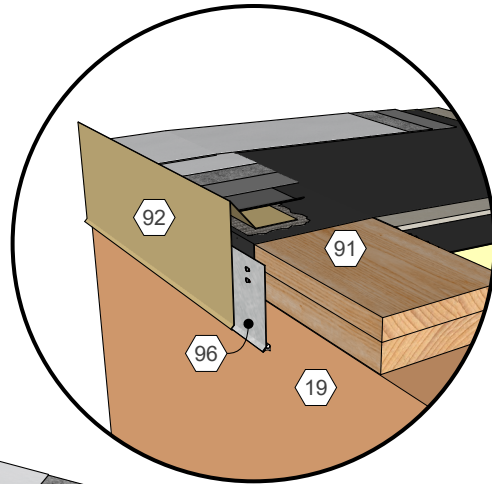
AlphaGuard® MT/MTS Plus Gravel Stop Edge, Temp. Roof, Metal Deck  
Detail 32031

## KEY NOTES

- ⑥02 Structural Concrete Deck
- ⑥09 Roof Structure
- ⑥19 Wall Assembly
- ⑥21 Polyisocyanurate Insulation (Adhered)
- ⑥28 Cover Board (Adhered)
- ⑥31 Approved Base Ply Sheet
- ⑥35 Stripping Ply
- ⑥37 Approved Base Sheet (Adhered)
- ⑥41 Approved Primer
- ⑥45 Roofing Mastic
- ⑥51 AlphaGuard MT/MTS Base Coat
- ⑥61 AlphaGuard Glass Mat or Permafab
- ⑥71 AlphaGuard MT/MTS Top Coat
- ⑥91 Wood Blocking
- ⑥92 Gravel Stop Edge

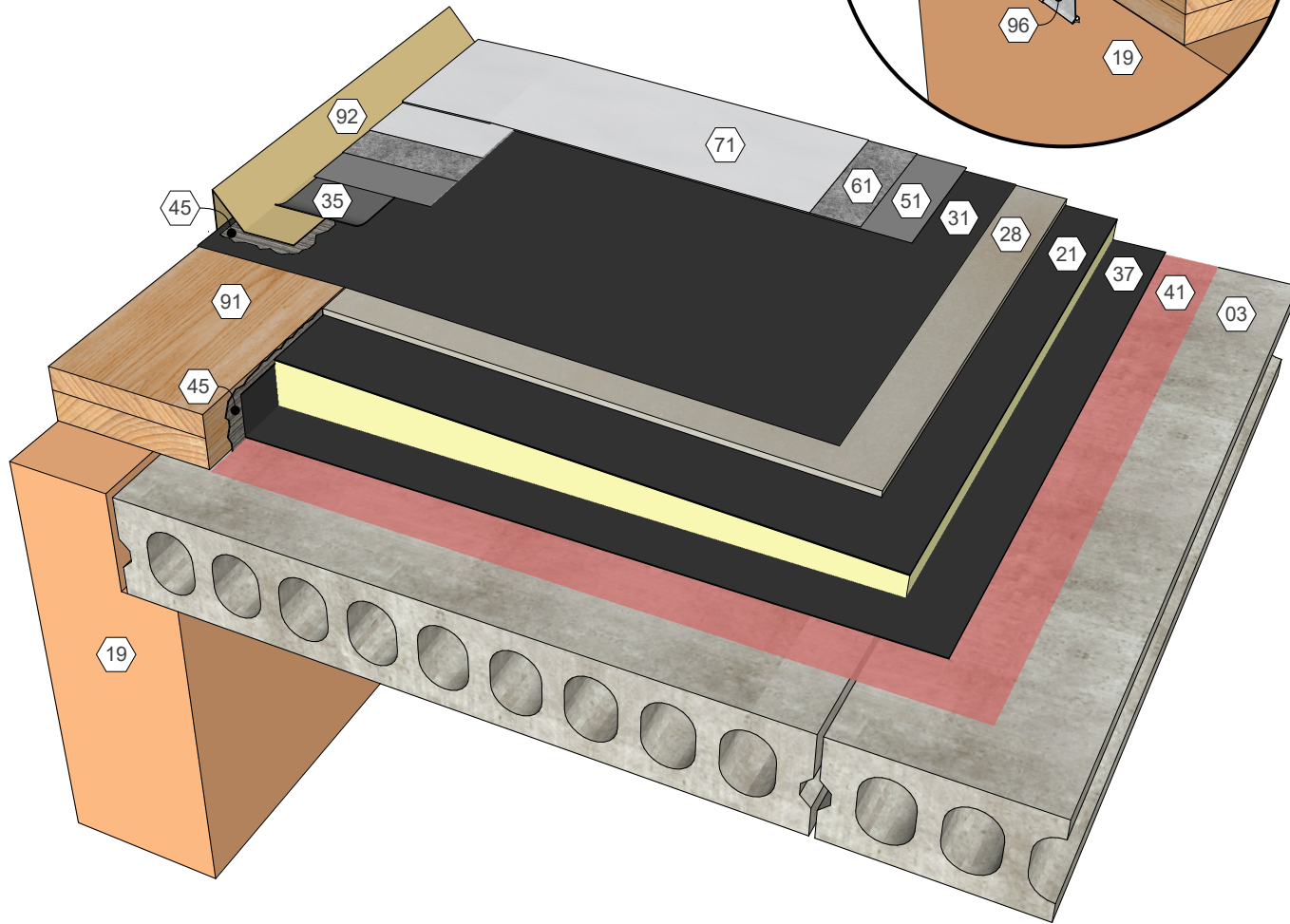


AlphaGuard® MT/MTS Plus Gravel Stop Edge, Temp. Roof, Structural Concrete Deck  
Detail 32032



**KEY NOTES**

- 03 Precast Concrete Deck
- 19 Wall Assembly
- 21 Polyisocyanurate Insulation (Adhered)
- 28 Cover Board (Adhered)
- 31 Approved Base Ply Sheet
- 35 Stripping Ply
- 37 Approved Base Sheet (Adhered)
- 41 Approved Primer
- 45 Roofing Mastic
- 51 AlphaGuard MT/MTS Base Coat
- 61 AlphaGuard Glass Mat or Permafab
- 71 AlphaGuard MT/MTS Top Coat
- 91 Wood Blocking
- 92 Gravel Stop Edge

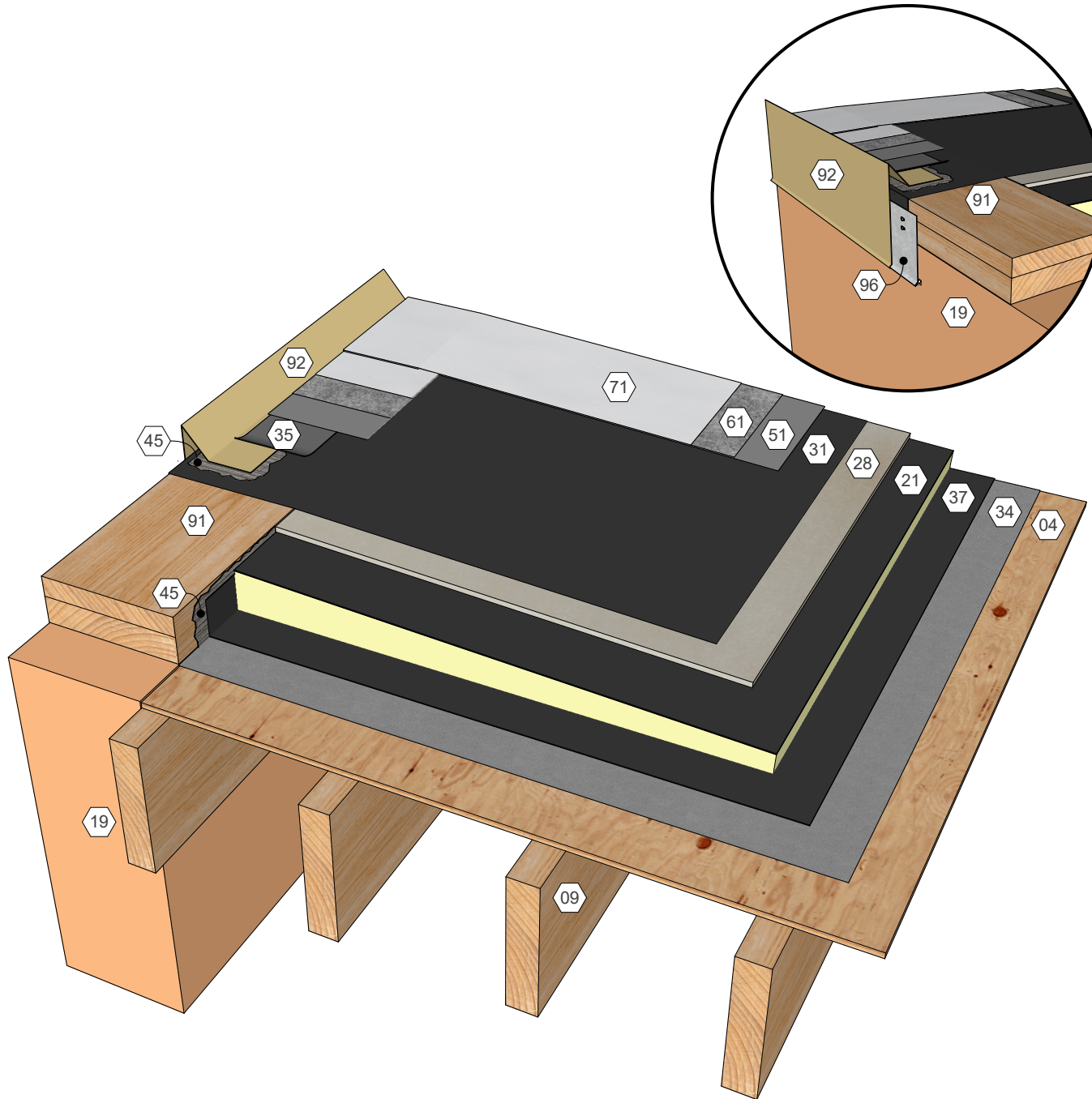


AlphaGuard® MT/MTS Plus Gravel Stop Edge, Temp. Roof, Precast Concrete Deck  
 Detail 32033



## KEY NOTES

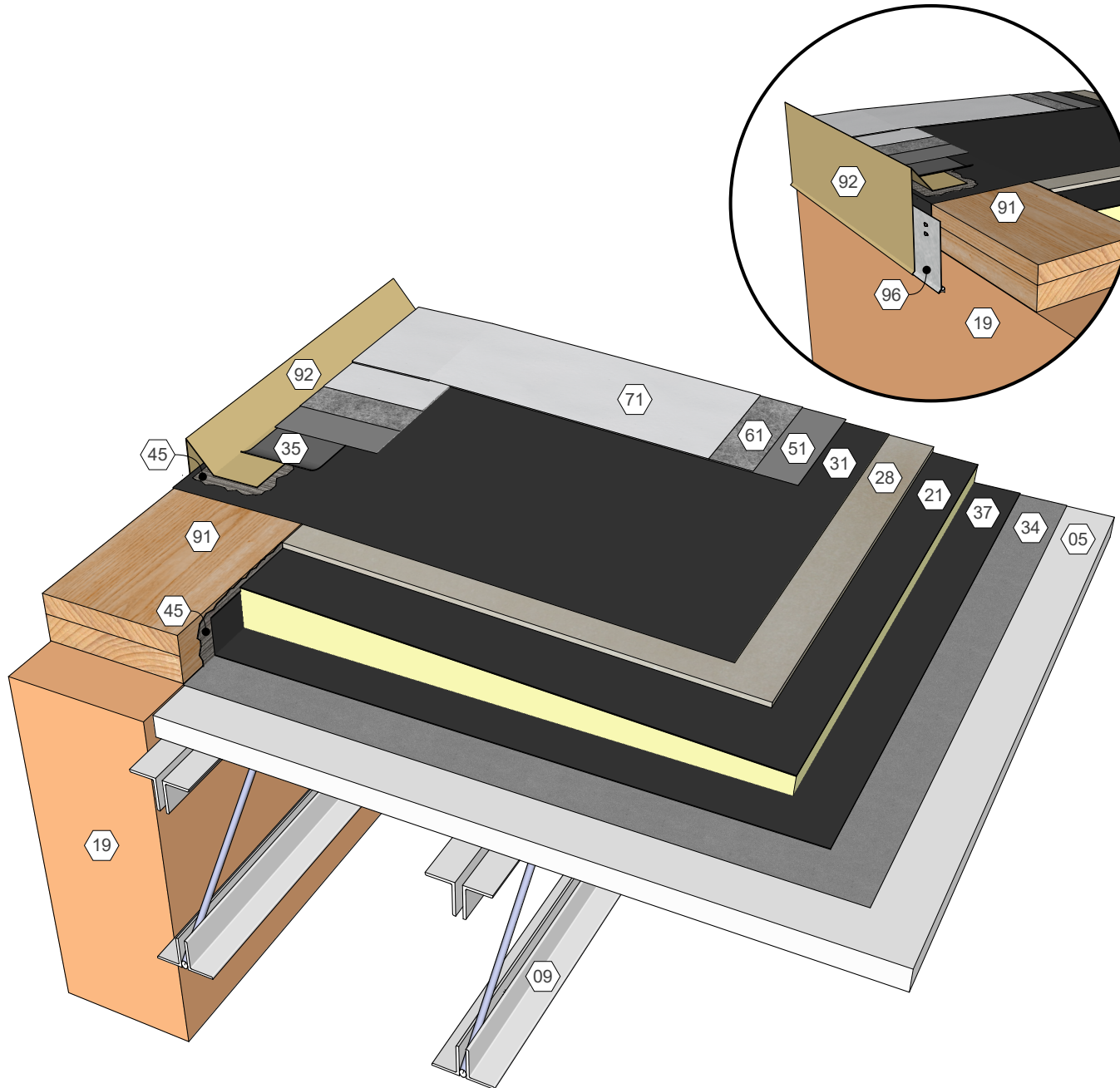
- 04 Wood Deck
- 09 Roof Structure
- 19 Wall Assembly
- 21 Polyisocyanurate Insulation (Adhered)
- 28 Cover Board (Adhered)
- 31 Approved Base Ply Sheet
- 34 Base Sheet (Fastened)
- 35 Stripping Ply
- 37 Approved Base Sheet (Adhered)
- 45 Roofing Mastic
- 51 AlphaGuard MT/MTS Base Coat
- 61 AlphaGuard Glass Mat or Permafab
- 71 AlphaGuard MT/MTS Top Coat
- 91 Wood Blocking
- 92 Gravel Stop Edge



AlphaGuard® MT/MTS Plus Gravel Stop Edge, Temp. Roof, Wood Deck  
Detail 32034

## KEY NOTES

- 05 Gypsum Deck
- 09 Roof Structure
- 19 Wall Assembly
- 21 Polyisocyanurate Insulation (Adhered)
- 28 Cover Board (Adhered)
- 31 Approved Base Ply Sheet
- 34 Base Sheet (Fastened)
- 35 Stripping Ply
- 37 Approved Base Sheet (Adhered)
- 45 Roofing Mastic
- 51 AlphaGuard MT/MTS Base Coat
- 61 AlphaGuard Glass Mat or Permafab
- 71 AlphaGuard MT/MTS Top Coat
- 91 Wood Blocking
- 92 Gravel Stop Edge



AlphaGuard® MT/MTS Plus Gravel Stop Edge, Temp. Roof, Gypsum Deck  
Detail 32035